



Native Gardening Keeping Kindersley Green

Please change “Kindersley” to your own community!

Time: 10 minutes

Materials:

- Milk Carton Bird Feeder Plans (1 Copy for each Teacher to Photocopy)
- 2 Litre Plastic Bottle Bird Feeder Plan (1 Copy for each Teacher to Photocopy)
- PowerPoint Projector
- Projector Screen
- Image of Birds and Plants

Introduction: (2 minutes)

- What types of wildlife do you see in Kindersley?
- Imagine you are a migrating bird and you are flying over the town...this is what it looks like. (Place the ppt image on.)
- If I were a Canada Goose where would I most likely want to stop for a break?
- If I were a Sprague’s Pipit I would probably look for this.
- If I were Sparrow I might look for feeders if some nice family put feed out for me.
 - How many people here have bird feeder in their yards?
- What other wildlife do you see in and around the town from time to time?
 - White Tail deer, Beavers, Musk Rats etc.
- What are some ways we might provide more habitats in town for these animals?
 - Feeders, plant shrubs with berries, trees for protection, bird houses bat houses

Body: Native Gardening (6 minutes)

- One way we can do this by planting Native Plants in our back yards.
- Here are some pictures of native gardening designed to provide habitat and attract wildlife. *(Show Slide Show from Malin)*
- What are our basic needs for survival? Water, Food, clothing, and shelter.
- Guess what animals need for survival? Water, Food, space and shelter.

Backyard & Balcony Habitat

Wildlife habitat consists of four basic elements: food, shelter, water and space. As natural habitat is lost to urbanization it becomes important to provide areas for wildlife. Green spaces still exist but they are often isolated making it difficult for wildlife to move between them. By connecting these green spaces, wildlife corridors can be created. One way of achieving this is by creating a backyard wildlife garden in your backyard or on your balcony. Here are a few simple things that can be done to provide habitat for wildlife:

- **Food** - Plant native species of plants instead of ornamental varieties. Wildlife feeds on the seeds, berries and nectar of these plants. *(Show Images of plants)*
- **Shelter** - Wildlife needs shelter to rest, raise their young and escape from predators. Shrubs, rock piles, dead trees and nest boxes all provide shelter for wildlife. *(Show Images for examples)*
- **Water** - Install birdbaths, small ponds, streams or shallow dishes to provide wildlife with a clean source of water. *(Show Images for examples.)*
- **Space** - Create a space that is safe from cats and dogs, traffic, pesticides and other human disturbances. *(Show Images for examples)*

Clean-Ups

- Keeping green spaces and corridors free of litter and rubbish is better for wildlife and encourages the community to treat natural areas with more respect.
- By doing these basic little things we can create a green space for wildlife right here in the city! What are the benefits of doing this for you and your family? Well, you are contributing to the environment and in return you get to see some pretty spectacular animals at different times of the year! **Show a few slide of birds!**

Conclusion: *(2 minutes)*

- Guess what animals need for survival? Water, Food, space and shelter.
- Here is a small project that you can do with basic recycled material around the house which will help to provide for the birds which may inhabit your yard.
- Hand out the “Milk Carton Bird Feeder Plans” or “2 Litre Plastic Bottle Feeder”.

Kindersley



Source: GoogleEarth.ca

*January 2008
Paskwa Consultants Ltd.*

Recycling with Purpose!

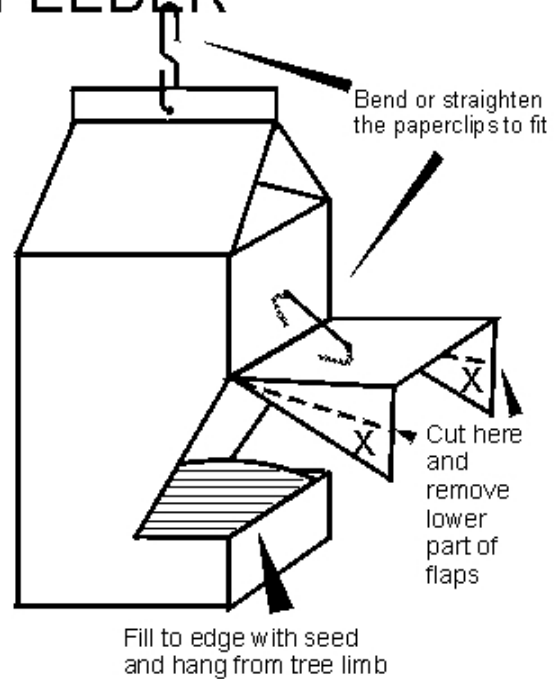
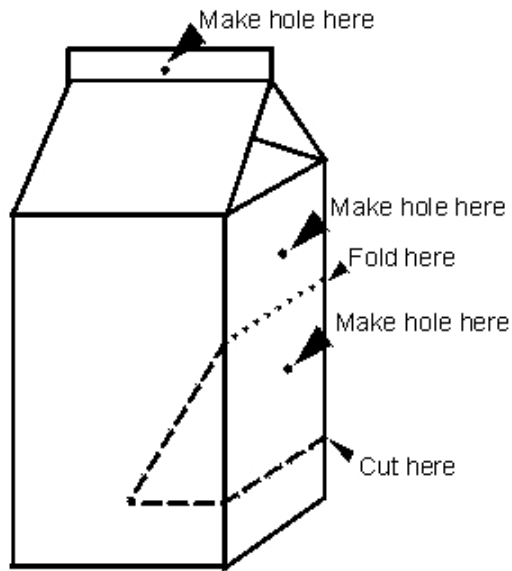
MILK CARTON BIRD FEEDER

Materials:

a clean 1/2 gallon milk carton
two large paper clips
a cup or two of fresh birdseed

Tools:

sharp scissors
awl or small punch



Source: Sassafrass Grove <http://www.angelfire.com/mo/sassafrassgrove/index.html>

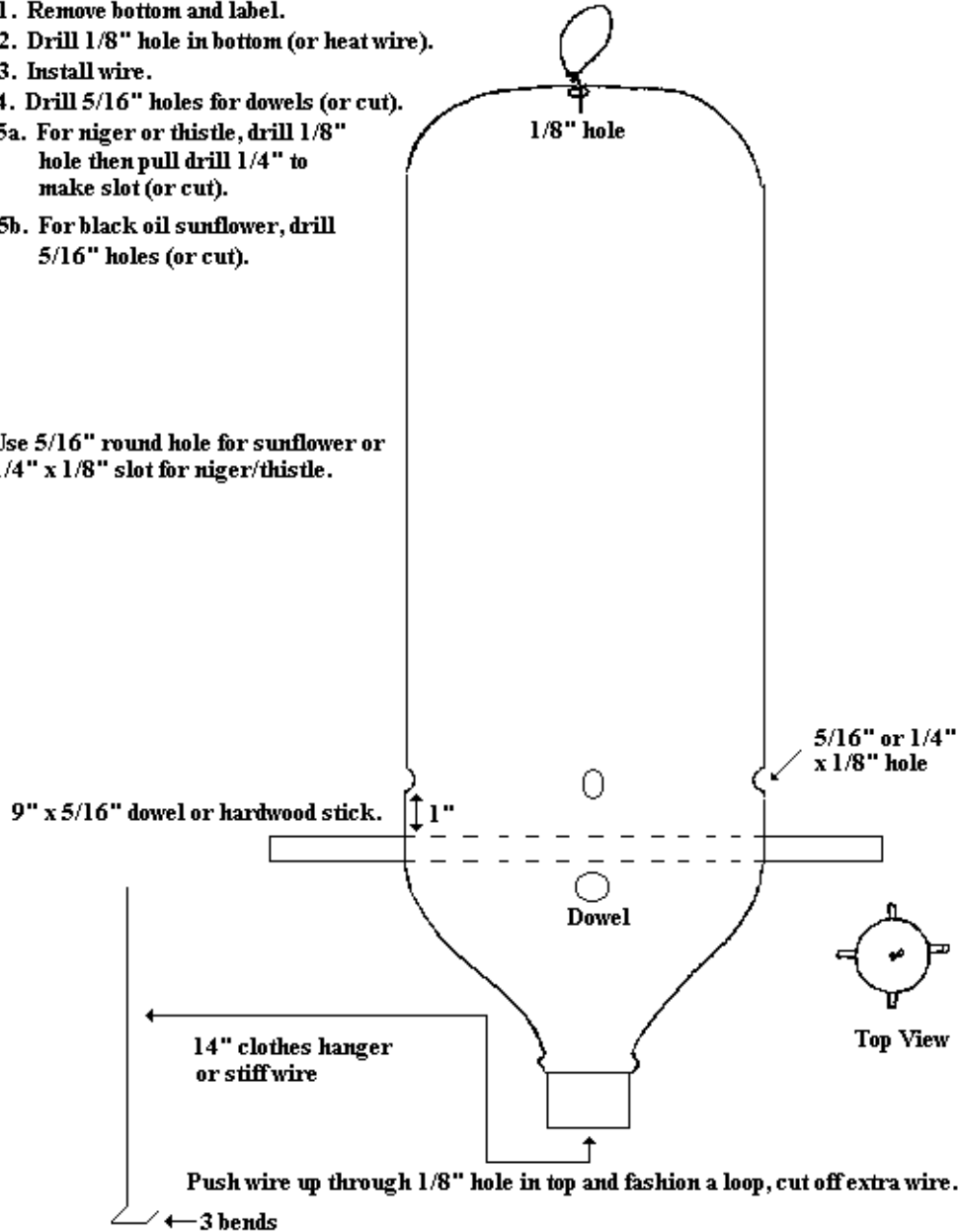
******* Remember to ask for help from a family member! Its fun to teach adults and others about making our back yard or balcony a bird friendly habitat!**

2 Litre Plastic Bottle Feeder

2-Liter Plastic Soda Bottle Bird Feeder

1. Remove bottom and label.
2. Drill 1/8" hole in bottom (or heat wire).
3. Install wire.
4. Drill 5/16" holes for dowels (or cut).
- 5a. For niger or thistle, drill 1/8" hole then pull drill 1/4" to make slot (or cut).
- 5b. For black oil sunflower, drill 5/16" holes (or cut).

Use 5/16" round hole for sunflower or 1/4" x 1/8" slot for niger/thistle.



Source: U.S. Department of the Interior | U.S. Geological Survey
URL: <http://www.npwrc.usgs.gov/resource/wildlife/ndblinds/twoliter.htm>